

美标闸阀
API Gate valve

Class(300Lb)

规格 inch	尺寸(mm)								
	DN	L	D	D1	D2	B	Z-Φd	H	H
1/2"	15	140	95	66.5	35	15	4-Φ15	155	120
3/4"	20	152	117	82.5	43	16	4-Φ19	160	120
1"	25	165	124	89	51	18	4-Φ19	200	140
1 1/4"	32	178	133	98.5	64	19	4-Φ19	250	160
1 1/2"	40	190	156	114.5	73	21	4-Φ22	290	180
2"	50	216	165	127	92	22	8-Φ19	330	200
2"	65	241	190	149	105	25	8-Φ22	385	220
3"	80	283	210	168.5	127	29	8-Φ22	410	240
4"	100	305	254	200	157	32	8-Φ22	480	280
5"	125	381	279	235	186	35	8-Φ22	630	300
6"	150	403	318	270	216	37	12-Φ22	690	320
8"	200	419	381	330	270	41	12-Φ25	830	400
10"	250	457	445	387.5	324	48	16-Φ29	1003	450
12"	300	502	521	451	381	51	16-Φ32	1137	500
14"	350	762	584	514.5	413	54	20-Φ32	1489	600
16"	400	838	648	571.5	470	57	20-Φ35	1581	600
18"	450	914	711	628.5	533	60	24-Φ35	2017	650
20"	500	991	775	686	584	64	24-Φ35	2228	650
24"	600	1143	914	813	692	70	24-Φ41	2650	700

Class(600Lb)

规格 inch	尺寸(mm)								
	DN	L	D	D1	D2	B	Z-Φd	H	H
1/2"	15	165	95	66.5	35	15	4-Φ15	155	155
3/4"	20	190	118	82.5	43	16	4-Φ19	160	160
1"	25	216	124	89	51	18	4-Φ19	200	200
1 1/4"	32	229	133	98.5	64	21	4-Φ19	250	250
1 1/2"	40	241	156	114.5	73	23	4-Φ22	290	290
2"	50	292	165	127	92	26	8-Φ19	350	350
2 1/2"	65	330	190	149	105	29	8-Φ22	430	430
3"	80	356	210	168	127	32	8-Φ22	470	470
4"	100	432	273	216	157	38	8-Φ25	570	570
5"	125	508	330	266.5	186	45	8-Φ29	700	700
6"	150	559	356	292	216	48	12-Φ29	750	750
8"	200	660	419	349	270	56	12-Φ32	830	830
10"	250	787	508	432	324	64	16-Φ35	1210	1210
12"	300	838	559	489	381	67	20-Φ35	1350	1350
14"	350	889	603	527	413	70	20-Φ38	1600	1600
16"	400	991	686	603	470	77	20-Φ41	1800	1800
18"	450	1092	743	654	533	83	20-Φ44	2110	2110
20"	500	1194	813	724	584	89	24-Φ22	2350	2350
24"	600	1397	940	838	692	102	24-Φ52	2900	2900

闸阀概述

Gate valve overview

- » 闸阀作为双向密封的高效开关阀，被广泛应用于各个行业，通过闸板在通道上滑动以控制介质流动（就像一个闸门一样，闸阀因此得名），闸阀一个显著特点是直通性，当其处在“开”位时闸板上升至通道上方，此时通道全开。因此，闸阀操作时拥有最小的湍流和压降。
- » 当现场要求阀门有上述两种性能时，闸阀是不错的选择。但是闸阀不能作为调节阀使用，只能用作开关阀。
- » Gate valves are widely used in various industries as high-efficiency on-off valves with two-way sealing. The flow of the medium is controlled by sliding the gate over the channel (like a gate in this way, the gate valve is named after it), a distinctive feature of the gate valve is the straight-through, when its When in the "open" position, the gate rises above the channel, and the channel is fully open at this time. because Thus, the gate valve operates with minimal turbulence and pressure drop.
- » When the site requires the valve to have the above two properties, the gate valve is a good choice. However, the gate valve cannot be used as a regulating valve, it can only be used as an on-off valve.



DN15~1000 | 16Mpa~100Mpa
2"-16" | Class 150~Class 2500

材质清单

产品规范 Product Specification	设计规范 Design spec.	结构长度 Face to Face	连接法兰 Flange End	试验与检验 Test & Check	压力—温度 Pressure-Temp.	产品标识 Marking	供货规范 Supply
	GB/T 12234 API 600	GB/T 12221 ASME B16.10	JB/T 79 ASME B16.5	JB/T 9092 API 598	GB/T 9124 ASME B16.34	GB/T 12220	JB/T 7926

材质清单

部件part Name	国标 /GB			美标 /ASME		
阀体/阀盖Body/Bonnet	WCB	ZGCr5Mo	304	A216 WCB	A217 WC6	A351 CF8
闸板Wedge	WCB	ZGCr5Mo	304	A216 WCB	A217 WC6	A351 CF8
阀杆Stem	13Cr	25Cr2MoV	304	A182 F6a	A217 WC6	A351 CF8
填料Packing	聚四氟乙烯/PTFE 柔性石墨/Flexible Graphite					
垫片Gasket	304+柔性石墨/Flexible Graphite					
螺栓Bolt	35/35CrMo	25Cr2MoV	304	A193 B7	A193 B7	A193 B8
适用温度Suitable temperature	-29~425°C	-29~550°C	-40~200°C	-29~425°C	-29~540°C	-46~425°C
适用介质Applicable medium	水、油品、蒸汽 Water,Oil,Steam	水、油品、蒸汽 Water,Oil,Steam	硝酸类 Nitric Acid	水、油品、蒸汽 Water,Oil,Steam	水、油品、蒸汽 Water,Oil,Steam	硝酸类 Nitric Acid

国标闸阀 GB Gate valve

结构优势与特点 Structural advantages and characteristics

- 符合国内外先进标准的要求，密封可靠，性能优良，造型美观。
 - 闸板、阀座密封面用铁基合金堆焊或司太立 (stellite) 钴基硬质合金堆焊而成，耐磨、耐高温、耐腐蚀、抗擦伤性能好、使用寿命长。
 - 采用楔式弹性闸板结构，中大口径设置滚动轴承，开关灵活，启闭轻松。
 - 阀杆经调质及表面氮化处理，有良好的抗腐蚀性，抗擦伤性和耐磨性。
 - 可采用各种配管法兰标准及法兰密封面型式，满足各种工程需要及用户要求。
 - 阀体材料品种齐全，填料、垫片可根据实际工况或用户要求合理选配，能适用于各种压力、温度及介质工况。
- Meets the domestic and foreign advanced standard requirement, the seal is reliable, the performance is fine, handsome appearance.
 - The damper plate, the valve seat packing surface is too vertical (stellite) with the iron-base alloy built-up welding or the department the cobalt base hard alloy built-up welding to become, wear-resisting, thermostable, anti-corrosive, the anti-abrasion performance is good, the service life is long.
 - Using wedge-type flexible gate structure, medium and large caliber set bearings, switches flexible, open and close easily.
 - Stem quenched and the nitrogen treatment, with good corrosion resistance, scratch resistance and wear resistance.
 - Can be used with a variety of standard pipe flanges and flange sealing surface types to meet various project needs and user requirements.
 - Valve body materials, variety, packing, gasket can be based on actual working conditions or the user requests a reasonable option, can be applied to all kinds of pressure, temperature and medium conditions.

标准与规范 Standards and norms

设计与制造 Design and Manufacture	结构长度 Structure Length	压力-温度等级 Pressure-temperature rating	连接法兰 Connection flange	试验与检验 Test and Inspection
GB 12234	GB 12221	GB/T 12224	JB/T 79.1-2-94 GB 9113-2009 HG 20592 ~ 20635	JB/T 9092-1999 GB 13927-2005

性能参数 Performance parameter

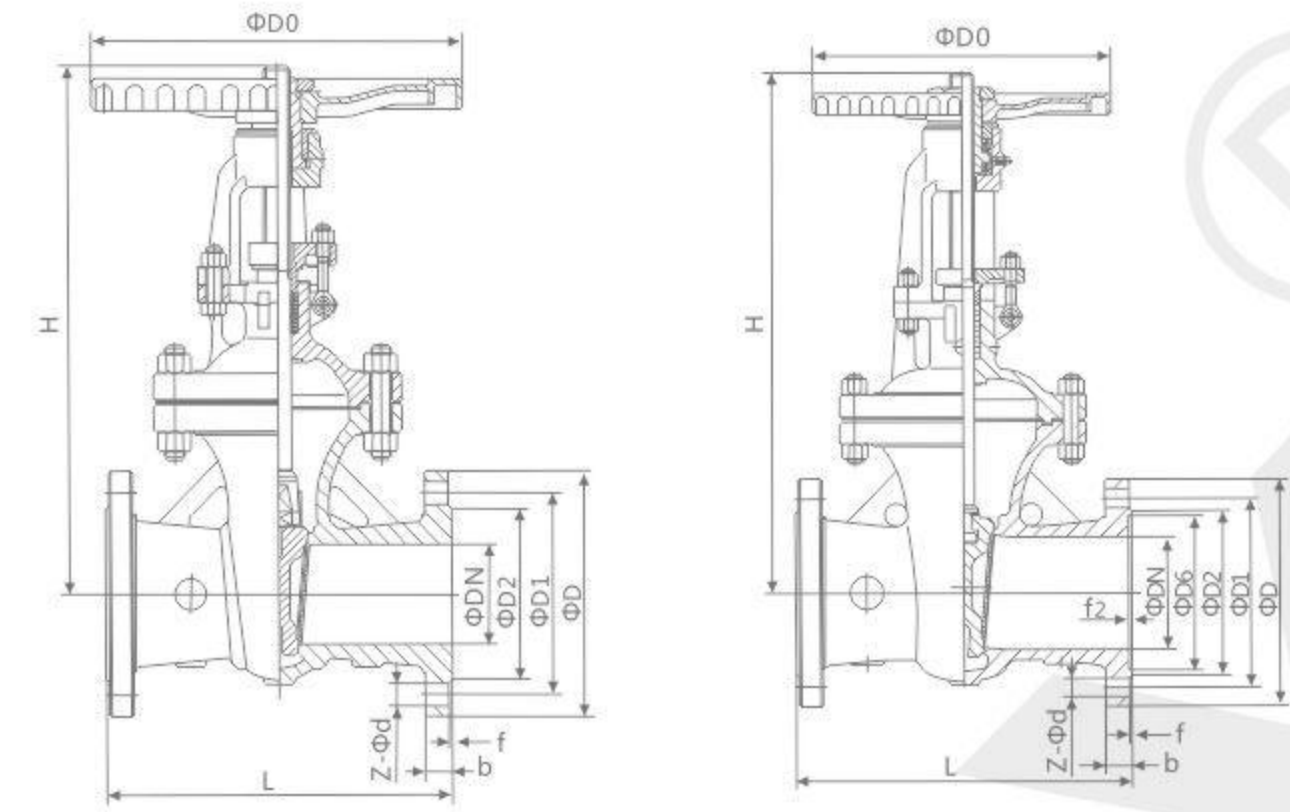
序号	项目名称	项目名称					
		PN16	PN25	PN40	PN64	PN100	PN160
1	公称压力 PN(MPa)	1.6	2.5	4.0	6.4	10	16
2	壳体强度试验压力 Shell strength test pressure(MPa)	常温下公称压力的1.5倍 1.5 Times the nominal pressure at room temperature					
3	高压密封试验压力 High-pressure sealing Test pressure(MPa)	常温下公称压力的1.1倍 1.1 Times the nominal pressure at room temperature					
4	常温下工作压力 Operating pressure at room temperature(MPa)	按GB/T 12224 压力温度额定值 According to GB/T 12224 pressure temperature rating					

主要零件材料 Main components material

名称 Name	材料 Material								
阀体/阀盖 Body/Bonnet	CF8	CF3	CF8M	CF3M	WCB	LCB	WC6	WC9	C5
闸板 Wedge	CF8	CF3	CF8M	CF3M	WCB	LCB	WC6	WC9	C5
阀杆 Stem	F304	F304L	F316	F316L	2CR13	F304	F304	F304	F304
阀杆螺母 Stem Nut	铝青铜 Aluminium Bronze								
填料 Packing	PTFE/柔性石墨				石墨 Graphite				
垫片 Gasket	PTFE/金属缠绕垫				石墨 Graphite				
压盖 Gland	CF8	CF3	CF8M	CF3M	WCB	LCB	WC6	WC9	C5
螺栓 Bolt	不锈钢 Stainless Steel				35CrMoA				
螺母 Nut	不锈钢 Stainless Steel				45、35CrMoA				
手轮 Handwheel	铸钢 Cast Steel								

国标闸阀 GB Gate valve

Z41W-10
Z41W-16
Z41W-25
Z41W-40
Z41W-63
C、I、P、R



主要外形尺寸及连接尺寸 Main external and connection dimension

公称压力 PN(MPa)	公称通径 DN(mm)	尺寸 Size(mm)								重量 (kg)
		L	D	D1	D2	b-f	Z-φd	H	D0	
1.0	15	130	95	65	45	12-2	4-φ14	160	100	5
	20	150	105	75	55	14-2	4-φ14	165	100	8
	25	160	115	85	65	14-2	4-φ14	200	125	11
	32	180	135	100	78	16-2	4-φ18	240	125	13
	40	165	145	110	85	16-3	4-φ18	245	135	9.5
	50	180	160	125	100	16-3	4-φ18	286	180	24
	65	195	180	145	120	18-3	4-φ18	320	180	31
	80	210	195	160	135	18-3	4-φ18	373	200	40
	100	230	215	180	155	20-3	8-φ18	428	200	55
	125	255	245	210	185	22-3	8-φ18	513	240	63
	150	280	280	240	210	22-3	8-φ23	582	240	90
	200	330	335	295	265	22-3	8-φ23	730	320	145
	250	380	390	350	320	24-3	12-φ23	897	320	230
	300	420	440	400	368	26-4	12-φ23	1032	400	330
	350	450	500	460	428	26-4	16-φ23	1170	400	460
	400	480	565	515	482	26-4	16-φ25	1330	500	500
	450	510	615	565	532	26-4	20-φ25	1460	500	680
	500	540	670	620	585	28-4	20-φ25	1650	500	960
	600	600	780	725	685	28-5	20-φ30	183	600	1200
	700	660	895	840	800	30-5	24-φ30	2120	700	1620
800	730	1010	950	905	32-5	24-φ34	2420	800	2090	
900	800	1110	1050	1005	34-5	28-φ34	2750	850	3100	
1000	850	1220	1160	1115	34-5	28-φ34	3130	900	4050	
1.6	15	130	95	65	45	14-2	4-φ14	170	120	5
	20	150	105	75	55	14-2	4-φ14	190	140	6.5
	25	160	115	85	65	14-2	4-φ14	205	160	9
	32	180	135	100	78	16-2	4-φ18	270	180	12
	40	200	145	110	85	16-3	4-φ18	290	200	26.5
	50	250	160	125	100	16-3	4-φ18	310	240	29
	65	265	180	145	120	18-3	4-φ18	373	240	33
	80	280	195	160	135	20-3	8-φ18	435	280	45
	100	300	215	180	155	20-3	8-φ18	445	300	63
	125	325	245	210	185	22-3	8-φ18	570	320	108
	150	350	280	240	210	24-3	8-φ23	630	360	134
	200	400	335	295	265	26-3	12-φ23	735	400	192
	250	450	405	355	320	30-3	12-φ25	969	450	273
	300	500	460	410	375	30-4	12-φ25	976	580	379
	350	550	520	470	435	34-4	16-φ25	1120	640	500
	400	600	580	525	485	36-4	16-φ30	1452	640	540
	450	650	640	585	545	40-4	20-φ30	1541	720	870
	500	700	705	650	608	44-4	20-φ34	1880	720	1100
	600	800	840	770	718	48-5	20-φ36	1874	800	1570
	700	900	910	840	788	50-5	24-φ41	2083	800	1870
800	1000	1020	950	898	52-5	24-φ41	2400	850	2500	
900	1100	1120	1050	998	54-5	28-φ41	2950	1000	3620	
1000	1200	1255	1170	1110	56-5	28-φ48	3245	1000	4550	

